

SHARP

Quick Start Guide

HT-SL70 / HT-SL75

SOUND BAR HOME THEATER SYSTEM

This product has HDMI CEC (Consumer Electronics Control), a feature which will enable you to use your TV's remote control to power on/off and adjust the volume of this product.

Recommended Connection:

Your TV Type	HDMI CEC function	Connection	Quick Start Guide Connection method	Connection method refer operation manual
HDMI (with Audio Return Channel)	MUST BE ENABLED	HDMI IN (ARC)	Method 1	Page 8, Method 1
with HDMI		HDMI IN	Method 2	Page 8, Method 2
HDMI TV without CEC & ARC or non HDMI TV	NONE	HEADPHONE OUT	Method 3	Page 9, Method 1
		RCA (VARIABLE OUT)	Method 3	Page 9, Method 2

- Notes:**
- This product is controlled via HDMI CEC (Consumer Electronics Control) specification, therefore for HDMI connection, your TV's CEC must be enabled. For details, refer to the operation manual of the TV.
 - For TV without HDMI CEC, headphone or RCA (variable output) analogue connection is available.
 - For TV without HDMI, headphone or RCA (variable output) connection is required.
 - **Volume level can be controlled via TV remote control.**

Accessories

The following accessories are included. This product has no remote control.

RCA to Headphone Cable (1 pin - 2 pins) x 1	Subwoofer Stand x 2	Audio Cable x 1	HDMI Cable x 1	Wall Mount Bracket x 2

Accessories

Wall Mount Angle x 2	Pattern Paper	Speaker Wire	Sound Bar Stand x 2	Screw for Brackets x 6	Sound Bar Stand Cushion x 2

For HT-SL75 only.

Sound bar cover joint for 60" (152 cm) TV (short) x 1	Sound bar cover joint for 70" (177 cm) TV (long) x 1	Stand Cover x 2	Stand Base x 2

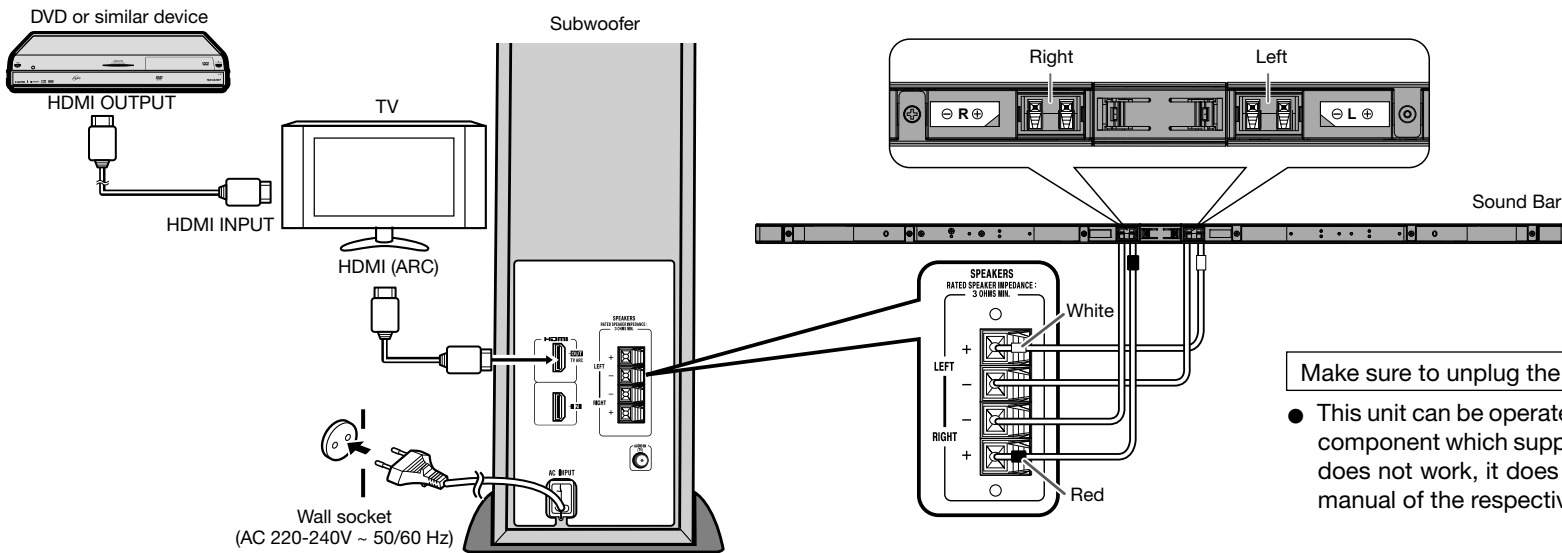
For HT-SL70 only.

Sound bar cover joint for 46" (117 cm) TV (short) x 1	Sound bar cover joint for 52" (132 cm) TV (long) x 1	Stand Cover x 2	Stand Base x 2

The illustrations printed in this operation manual are for the model HT-SL70.

System connections

Method 1. Recommended connection : Connecting a TV with ARC (Audio Return Channel)



Make sure to unplug the AC power lead before making any connections.

- This unit can be operated (power on/off or volume up/down) via a TV or similar component which supports HDMI CEC (Consumer Electronics Control). If this does not work, it does not mean this system is faulty. Refer to the operation manual of the respective component on how to activate the CEC.

Example for your TV setting

1. Activation of CEC (e.g.: AQUOS TV (LC40LE810E))

- 1 Go to the MENU of the TV and the MENU screen will be displayed.
- 2 Press ◀/▶ (or ▲/▼) to select "Link Operation".
- 3 Press ▼/▲ (or ◀/▶) to select "AQUOS LINK Setup".
(For Sharp LCD TV, the HDMI CEC is named as AQUOS LINK)
- 4 Press ▲/▼ (or ◀/▶) to select "AQUOS LINK Control".
- 5 Press ▲/▼ (or ◀/▶) to select "On".
- 6 Press MENU to exit.

2. Selection of speaker

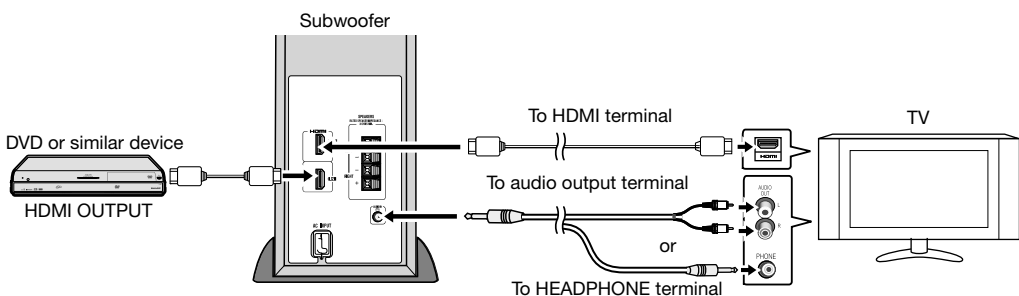
Listening with the Sound Bar System

- 1 Select OPTION and the AQUOS LINK menu screen will be displayed.
- 2 Press ▲/▼ to select "By AQUOS AUDIO SP", and then press OK.

To turn the power on/off

Plug the AC power lead into a wall socket, the stand-by indicator turns RED.
This unit will automatically power on/off if TV is turned on/off.
The stand-by indicator will turn BLUE if TV signal is detected.

Method 2. Connecting a TV without ARC (Audio Return Channel)



- Activate the CEC feature of your TV and select the appropriate speaker output. For details, refer to the operation manual of the TV.

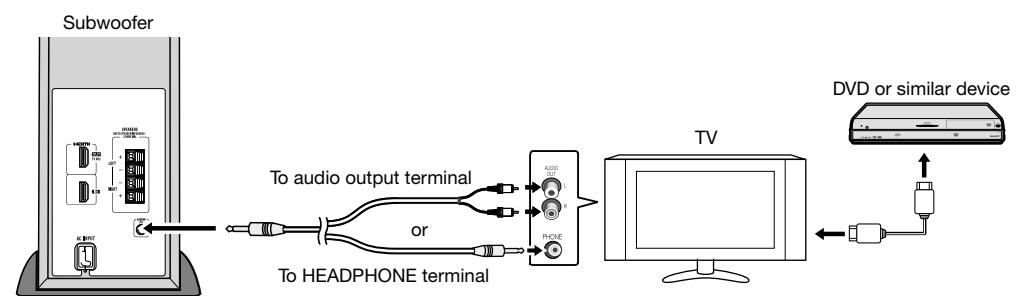
To turn the power on

Plug the AC power lead into a wall socket, the stand-by indicator turns RED.
This unit will automatically power on if:
1. DVD which supports HDMI CEC, is turned on.
2. Audio signal is detected from TV (DVD must POWER OFF).
The stand-by indicator will turn BLUE if TV signal is detected.

Power Off

This unit will automatically go to stand-by mode (indicator turns RED) if:
1. DVD which supports HDMI CEC, is turned off.
2. No signal from TV is detected after 20 minutes.

Method 3. Connecting a TV (with AUDIO IN (TV))



- Select the appropriate speaker output on your TV. For details, refer to the operation manual of the TV.

To turn the power on

Plug the AC power lead into a wall socket, the stand-by indicator turns RED.
This unit will automatically power on if audio signal is detected from TV.
The stand-by indicator will turn BLUE if TV signal is detected.

Power Off

This unit will automatically go to stand-by mode (indicator turns RED) if no signal from TV is detected after 20 minutes.

Note:

In some cases, a small background noise could emit from the sound bar, when you use the headphone connection with a TV-Set. In such case, please change the connection to the HDMI/ARC or RCA-connection! This effect depends on the used TV-Brand, model and age, and it is not a quality matter from the sound bar!